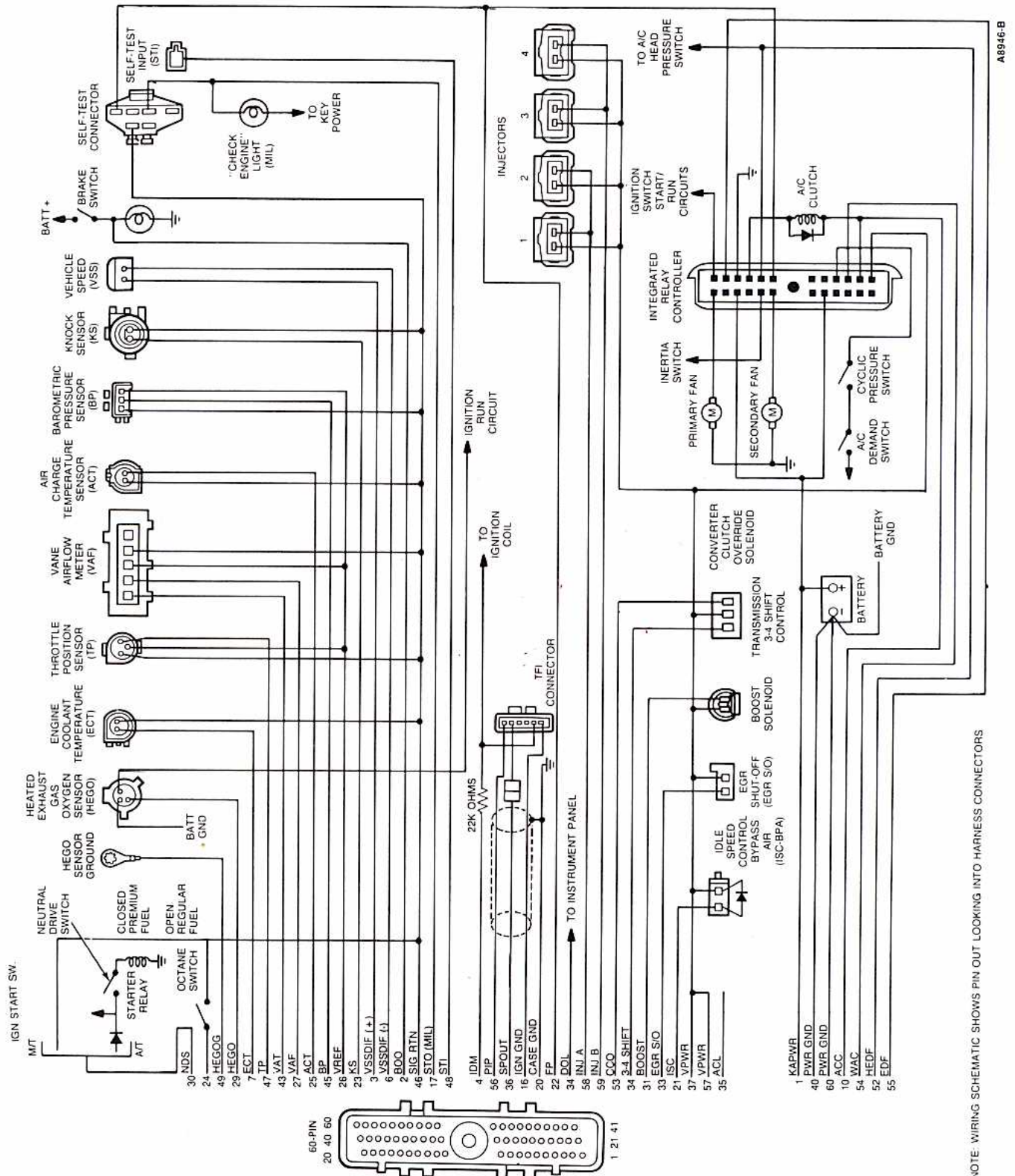


2.3L TC OHC MFI

VIN Code W (145-175hp)
"Bosch-Ford"

1987 Thunderbird/Mercur

VIN: 1 2 3 4 5 6 7 8 ... 17
Engine code



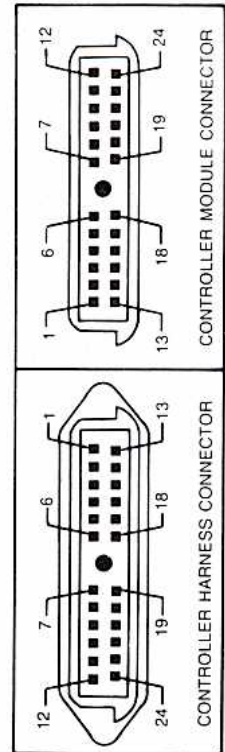
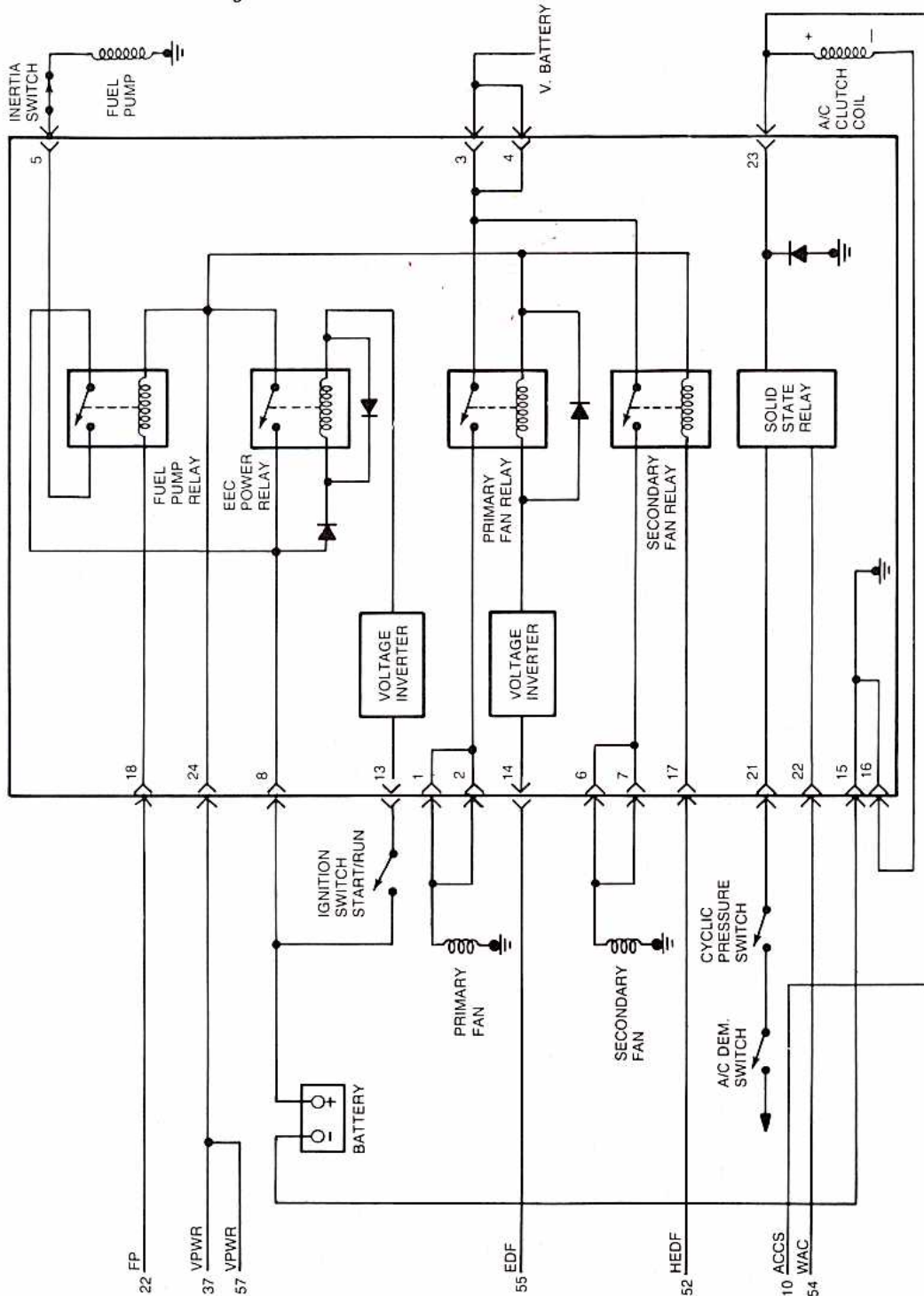
NOTE: WIRING SCHEMATIC SHOWS PIN OUT LOOKING INTO HARNESS CONNECTORS

**2.3L
TC OHC MFI**

VIN Code W (145-175hp)
"Bosch-Ford"

**1987
Thunderbird/Mercur
Integrated Relay Controller Module**

VIN: 1 2 3 4 5 6 7 8 ... 17
Engine code



A9903-A

